

Straight Moulded Boot 8 and 10 connectors



Brand: Hellerman Tyton

Product Code: CS152-42-71

Availability: In Stock

Weight: 0.01kg

Dimensions: 5.00cm x 5.00cm x 5.00cm

Price: \$15.75

Short Description

Straight plug-and-socket connector terminal casing. This style is used in conjunction with circular grooved adaptor, providing protection against environmental stresses. The inside lip has been designed to provide extra reinforced stress relief.

Suits 7, 8 and 10 size Souriau Autosport Connectors.

Equivalent to Raychem 202K-121 and Hellerman 152-42-GW24

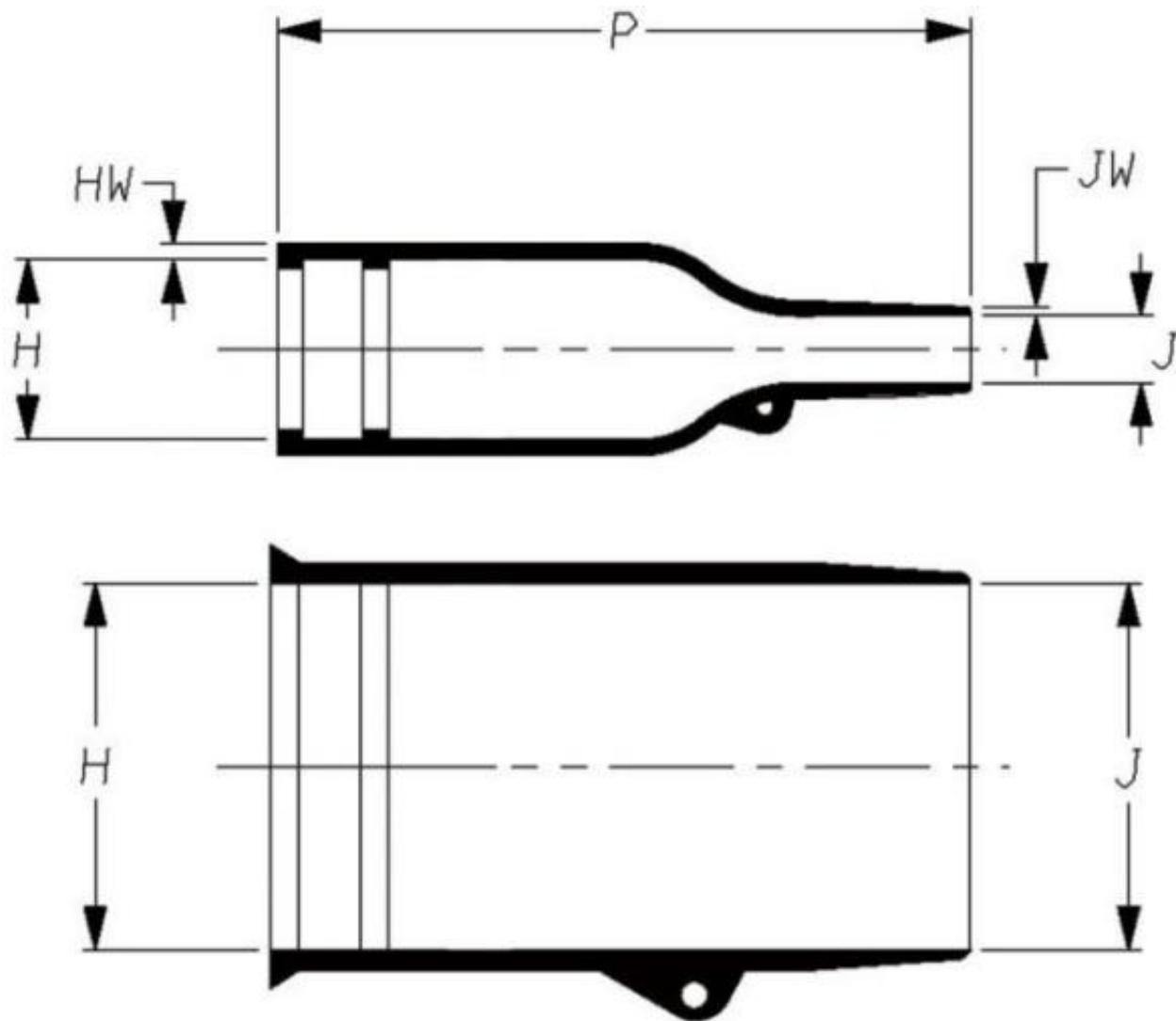
Description

Features & Benefits

- Heatshrink shapes provide watertight seals around cable splices, protecting against mechanical conditions and corrosion while maintaining electrical insulation.
- They are made from a variety of compounds used in temperatures from -70°C to +200°C.
- Advanced materials resist exposure to fluids including water, engine oils, hydraulic fluids, gasoline, and cleaning fluids. Plus, their high-shrink ration and configurability allow the product line to handle most transitions with ease.
- These products can be used in a wide range of applications-from motorsports to aerospace.

Dimensions

As Supply Size(mm)			After shrinking Size(mm)			
Hmin	Jmin	Hmax	Jmax	W±20?	R±10?	S±10?
24	-4?-25?-71 24	9.5	4	1.6	22	15



Product Gallery

