

# Magneti Marelli SRTE Engine Control Unit



**Brand:** Magneti Marelli

**Product Code:** SRTE

**Availability:** 7 Days

**Weight:** 0.80kg

**Dimensions:** 20.00cm x 15.00cm x 5.00cm

**Call for Price:** +613-8743-5550

## Short Description

SRT-E is an evolution of the SRA Engine Control Unit with greater input/output and communications capability in a smaller, tougher housing. It's the great all rounder for motorsport engine control.

## Description

SRT-E is a dedicated Engine Control Unit. A single SRT-E can drive up to eight injectors and six ignition coils. It is compatible with a wide range of sensors and actuators (especially F1 products) such as coils, injectors and sensors. SRT-E can also drive logic command coils (HW option).

Communication from the PC based configuration tool and to other units (such as dashboard and logger) is possible by 2 CAN lines and an asynchronous serial line.

Inside the unit there is a high performance RISC microcontroller and an FPGA for diagnostic purposes.

SRT-E provides analogue inputs for single-ended, differential, temperature and knock-sensor as well as an interface for a linear wide band lambda sensor. The unit also provides 2 HBridge output stages for use with suitable "Drive by Wire" or Trumpet Control actuators.

6 configurable speed sensor inputs (up to 3 inductive) provide full flexibility of configuration for engine angle detection as well as other frequency inputs such

as wheel or shaft speed.

SRT-EDL is a version of the SRT E Engine Control Unit with an internal 64 Mbyte data logger.

## **Main Features**

- ? 14 Single-ended
- ? 3 Pick-ups or Hall effect
- ? 3 Hall effect
- ? 6 Inductive or logic command ignition drivers (HW option)
- ? 8 On/Off injector drivers
- ? 2 H-Bridge: DC-Motor driver for “Drive by Wire” control
- ? 4 PWM
- ? 2 Linear Lambda
- ? 2 Knock input for detonation control accelerometers
- ? 32 or 64 Mbyte internal data logger
- ? Up to 256 logged channels
- ? Up to 40 Kbyte/s logging rate
- ? Sampling rates up to 1000 Hz
- ? 2 CAN communication buses
- ? 1 Ethernet line

## **Technical Characteristics**

### Inputs

Analogue Single-ended .....	14
Linear Lambda sensor .....	2
Knock sensor .....	2
K-type thermocouple .....	2
NTC/PT1000 temperature sensor (selectable) .....	4
NTC internal temperature sensor .....	1
V battery injector .....	1
VR Pick-ups or Hall effect .....	3
Hall effect .....	3
Lap trigger .....	1
“Code Load” enable pin .....	1
Syncro (Iso9141) .....	1

### Outputs

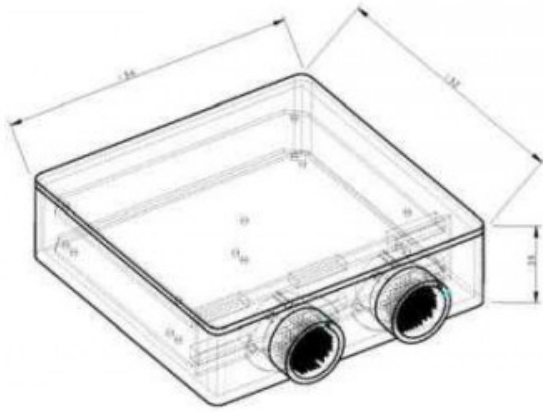
On/Off injector drivers .....	8
Inductive or logic command ignition drivers (HW option) ..	6
H-Bridges .....	2
Lambda heater drivers .....	2

PWM .....	4
Voltage references .....	3
Communications	
CAN line (1 Mbit/s (*)) .....	2
Ethernet line (100 Mbit/s) .....	1
Serial current loop .....	1
(*) Configurable on request	
Logic Core	
Microcontroller (80 MIPS RISC).....	1
FPGA (50k gates) .....	1
Flash E2PROM (microcontroller) .....	1 Mbyte
RAM memory (microcontroller) .....	48 Kbyte
RAM memory .....	512 Kbyte
E2PROM .....	64 Kbyte
Time keeper .....	1
Logging	
Flash disk memory .....	32 or 64 Mbyte
Logged channels.....	up to 256
Logging rate .....	up to 40 Kbyte/s
Sampling rate .....	up to 1000 Hz
Other Characteristics	
Power supply .....	7 to 16 V
Operating temperature range (internal) .....	-20 to 85 °C
Protection class .....	IP 54
Dimensions	
without connectors.....	134 x 132 x 39 mm
Weight (approx.) .....	700 g

## Specification

Make	
Alfa Romeo	

## Product Gallery



Dimensions in millimetres

