

Magneti Marelli Racing Plug Top Coil BAE403D

Brand: Magneti Marelli
Product Code: BAE403D
Availability: In Stock
Weight: 0.10kg
Dimensions: 15.00cm x 10.00cm x 5.00cm

Price: \$127.50

Short Description

The BAE403 is a high powered inductive ignition coil with sub compact dimensions particularly suitable for static ignition of multi cylinder engines. The small dimensions allow mounting directly to the cylinder head thus eliminating the need for HT leads.

Description

Description

A high power inductive ignition coil with sub compact dimensions particularly suitable for static ignition of multi-cylinder engines.

The small dimensions allow direct mounting in the cylinder head thus eliminating the need for H.V. leads.

[Contact us](#) for the design of different plug positions and suitable ignition drivers.

Main Features

- Modular design
- Different plug position possible
- Different plug diameters possible
- Possibility to choice all combination between coil head and rubber part

Benefits

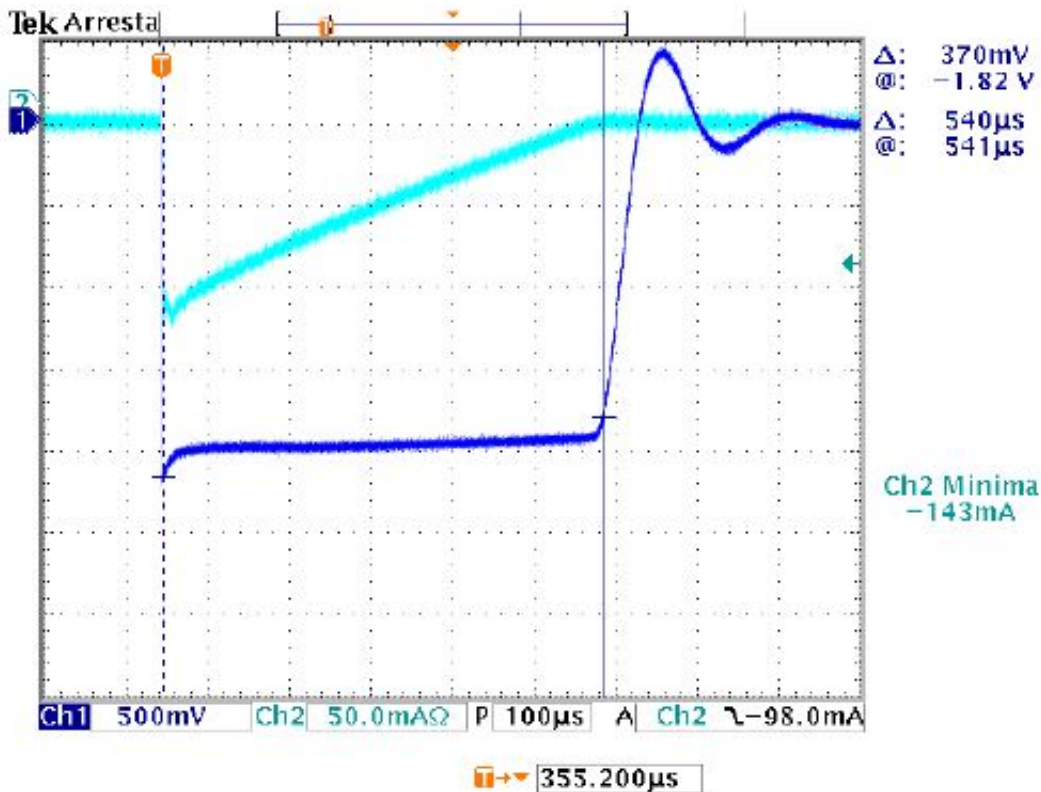
- Small dimensions
- Low weight
- Low cost

Typical Applications

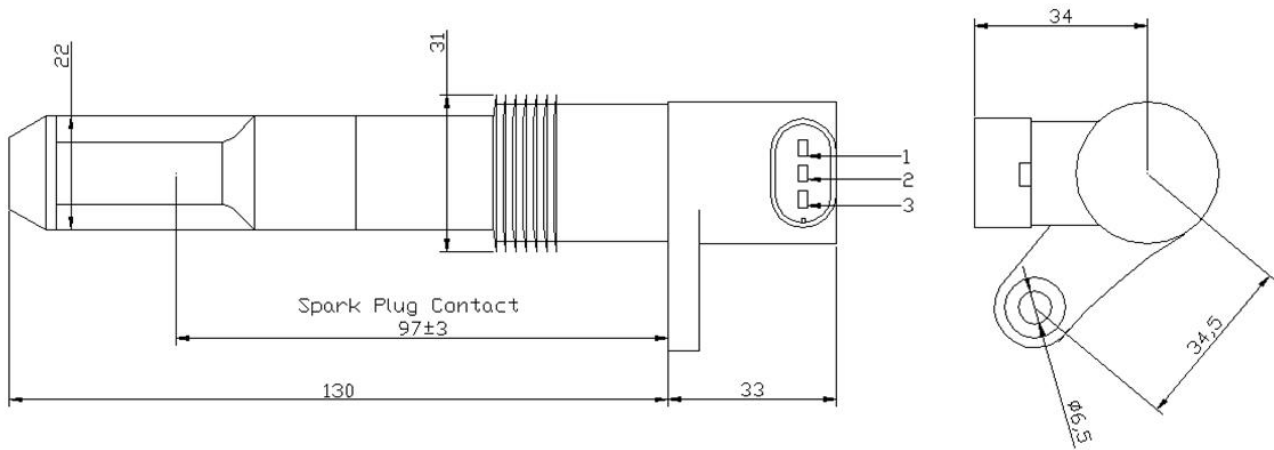
Atmospheric and forced induction engines
F3 - IRL – GT - Rally

Technical Characteristics

Nominal supply voltage.....	13.5 V
Charge current	9 A
Dwell	1.4 ms
Rise time	< 7.5 μ s
Sec. Voltage (1 M Ω +20 pF load)	30 kV
Spark duration.....	450 μ s
Spark current	120 mA
Combustion energy.....	54 mJ
Weight.....	180 g



Technical Drawings



Wiring and Installation

Pin	Function	Wire
1	Ignition Command	20AWG
2	Ground	20AWG
3	Power	20AWG

Connector Housing: AMP284425-1

Terminals:AMP929027-1 (20-24AWG)

These coils require an ECU which can directly drive a coil (MARELLI SRAE/SRTE/MARVEL) or an external ignitor or CDI module for operation