

# Ford "Pinto" 2L Classic Throttle Kit



**Brand:** Jenvey  
**Product Code:** CKFD17  
**Availability:** 7 Days  
**Weight:** 3.00kg  
**Dimensions:** 60.00cm x 30.00cm x  
10.00cm

**Price: \$1,950.00**

## Short Description

Classic style with modern performance for the 2L Pinto motor found in many early Fords.

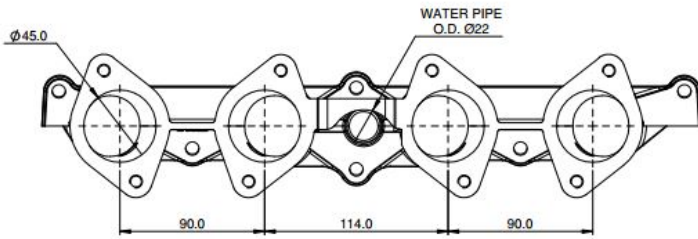
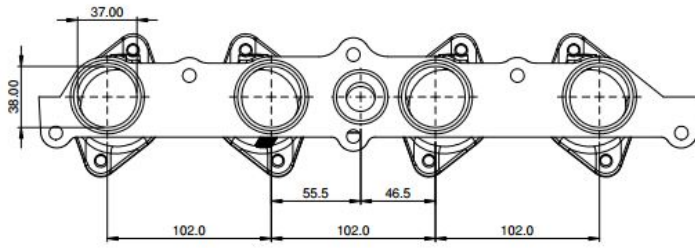
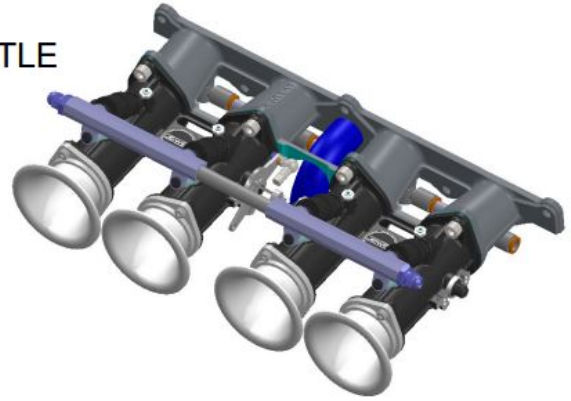
## Description

Ford Pinto 2.0L Throttle body kit includes fuel injection inlet manifold, two connected TB twin throttle bodies (ITBs), a single piece aluminium billet fuel rail, 40mm long airhorns. The throttle bodies and all Jenvey accessories are engineered for Motorsport, offering excellent performance, reliability, lightness and value.

Ideal for road, track or rally use.

## Technical Drawing

# MF17 - FORD PINTO MANIFOLD FOR TWIN THROTTLE BODIES



Flanges for Jenvey twin (TB, TH, TS) throttle bodies. May be ported up to 50mm.  
Additional material to allow matching to ported cylinder heads.  
Undrilled bosses on underside for idle air / vacuum take off / etc.

Frame: 1 of 1	
Version: 1	
<b>JENVEY</b> Engineered to win	Tel 01746 768810 © JENVEY DYNAMICS LTD. 2015

## Specification

Make	
Ford	Cortina
Ford	Escort
Ford	Pinto