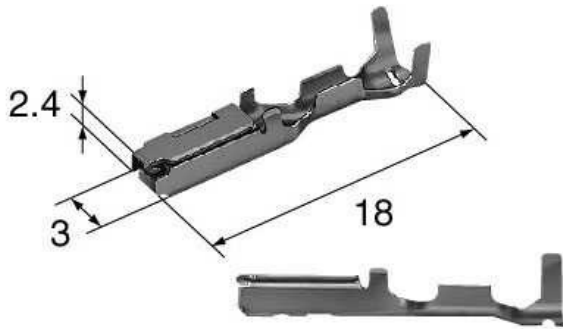


Sumitomo DL/TL/SL Series Female Terminal 16-14AWG



Brand: Sumitomo

Product Code: SUM8100-1428

Availability: 7 Days

Weight: 0.01kg

Dimensions: 1.00cm x 1.00cm x 1.00cm

Price: \$0.50

100 or more \$0.39

Short Description

Heat resistant copper alloy with tin plating female terminal. Suits 22 or 20AWG M22759 type wire and AV type automotive wire.

Description

Heat resistant copper alloy with tin plating female terminal. Suits 22 or 20AWG M22759 type wire and AV type automotive wire.

| | |
|----------------------|--|
| Sealed/Unsealed | sealed |
| Male/Female | F |
| Tab Size | 2.3mm(090) |
| Size | L |
| Mating parts | 8230-4552(DL sealed series/HX sealed series/TL sealed series/SL sealed series) |
| Applicable wire size | 1.25-2.0mm ² |
| Materials | Heat-resistant copper alloy |
| Surface treatment | Tin-plated |

Contact resistance

Initial 3m Ω Max.
after durability tests
10m Ω Max.

Leak current

100 μ A Max.

Insulation resistance

100M Ω Min.