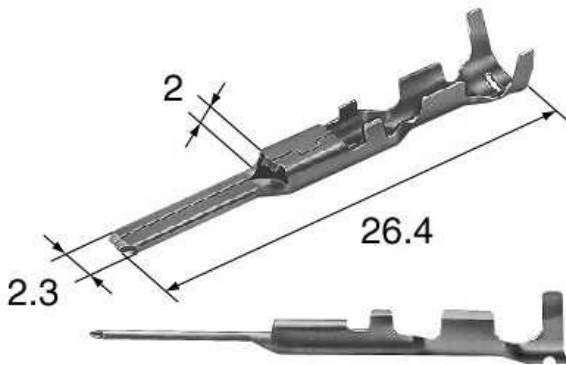


Sumitomo DL/TL/SL Series Male Terminal 16-14AWG



Brand: Sumitomo
Product Code: SUM8230-4552
Availability: 7 Days
Weight: 0.01kg
Dimensions: 1.00cm x 1.00cm x 1.00cm

Price: \$0.50

100 or more \$0.39

Short Description

Heat resistant copper alloy with tin plating male tab terminal. Suits 14 or 16AWG M22759 type wire and AV type automotive wire.

Description

Heat resistant copper alloy with tin plating female terminal. Suits 22 or 20AWG M22759 type wire and AV type automotive wire.

| | |
|-----------------|--|
| Sealed/Unsealed | sealed |
| Male/Female | M |
| Tab Size | 2.3mm(090) |
| Size | L |
| Mating parts | 8100-1428 (DL sealed series/TL sealed series/SL sealed series) 8240-4952 (HX sealed series) |

Applicable wire size

1.25-2.0mm²

Materials

Brass

Surface treatment

Tin-plated

Contact resistance

Initial

3m? Max.

after durability tests

10m? Max.

Leak current

100?A Max.

Insulation resistance

100M? Min.