

# Compsystems NTC M6 Fast Fluid Temp Sensor



**Brand:** Competition Systems

**Product Code:** 60-006A

**Availability:** In Stock

**Weight:** 0.50kg

**Dimensions:** 15.00cm x 15.00cm x 2.00cm

**Price: \$275.00**

## Short Description

Stainless steel body with a high accuracy/fast reaction NTC sensor element. Suitable for air, water, oil and fuel temperature measurement.

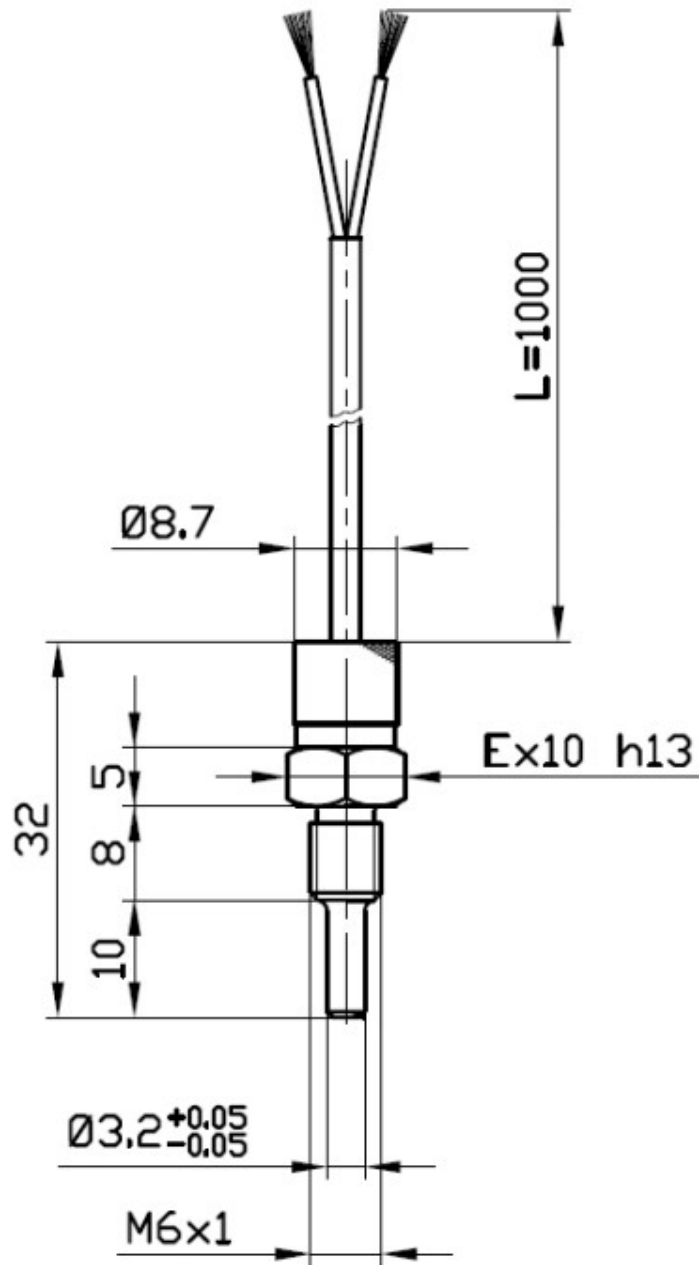
Comes with a 1000mm flying lead (M22759/32 cable) and DR heat shrink with heat shrink boot.

## Description

### Main Features

- AISI303 housing for improved mechanical strength
- Splash resistant to motorsport fluids
- Miniature sensing tip
- High strength M22759/32 wire leads
- High signal level
- Small dimensions
- Light weight

# Technical Drawing



Dimensions in millimetres

